

BIOIN PROX



a Visual Plus Corporation Company

Flush Mount Biometry and Proximity Reader with Wiegand Output

Biometry and Proximity combined in one reader

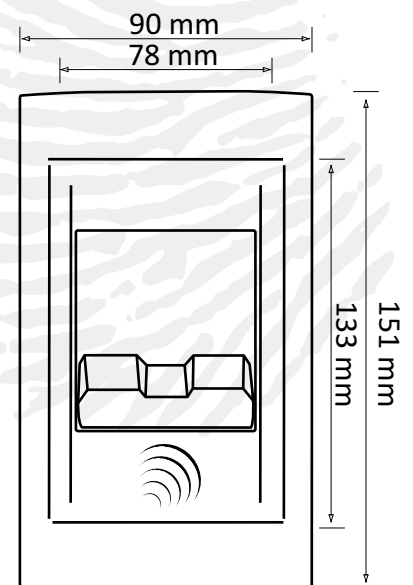
BIOIN PROX is the newest reader in our product range that combines both biometrical and proximity features. With BIOIN PROX you have the unique option to enjoy the fingerprint and proximity operations clustered in one and the same reader.



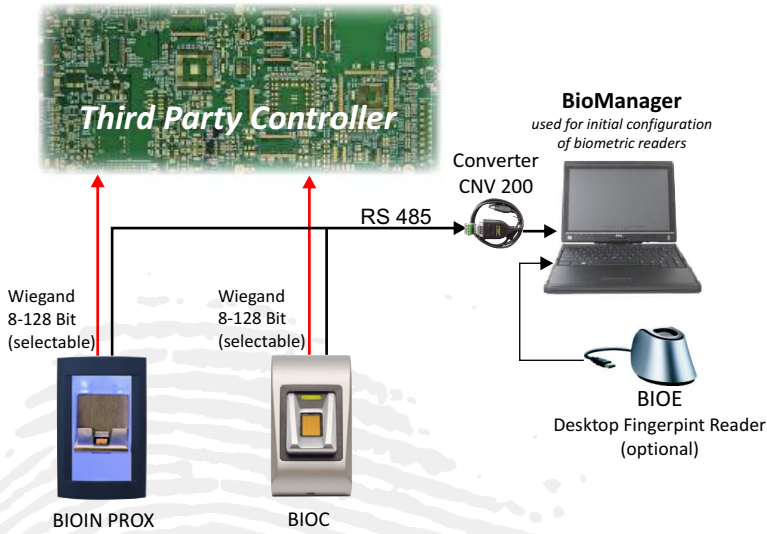
F Features

- Flush Mount fingerprint reader with integrated proximity
- Authentication: Fingerprint or Proximity Cards, Tags and Fobs
- Storage capacity: 9500 Fingerprints
- Recognition and matching time: <1sec
- 1 Free tension LED (Central Alarm)
- Configuring the system and Fingerprint enrollment done through PC, locally or remotely
- Adjustable Wiegand protocol (1 to 128-bit) is utilized in the biometry reader which makes it compatible with controllers with Wiegand interface
- Wiegand Protocol adjustment done through PC
- Sound level adjustment through PC
- Separate BioManager Software available free when used with third party controllers
- Fingerprints stored in the reader and backup copy kept in the software
- Power Supply: 12Vdc
- Consumption: 200 mA max.
- Weight: 500g

D Dimensions



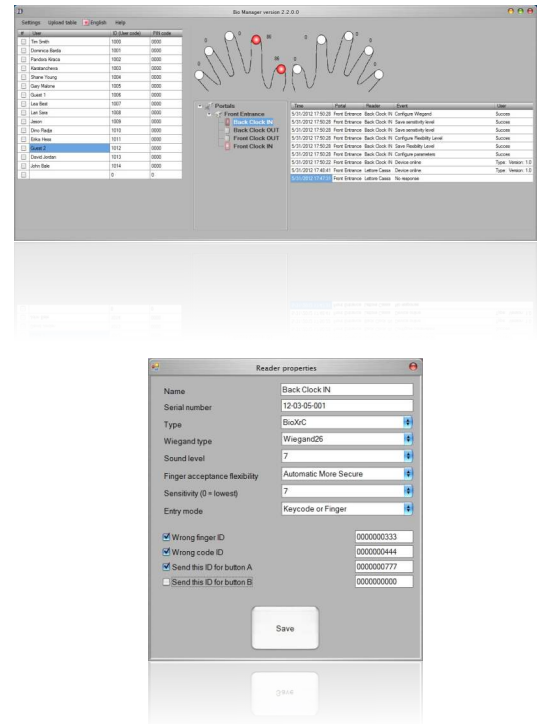
T Third party controller - Architecture



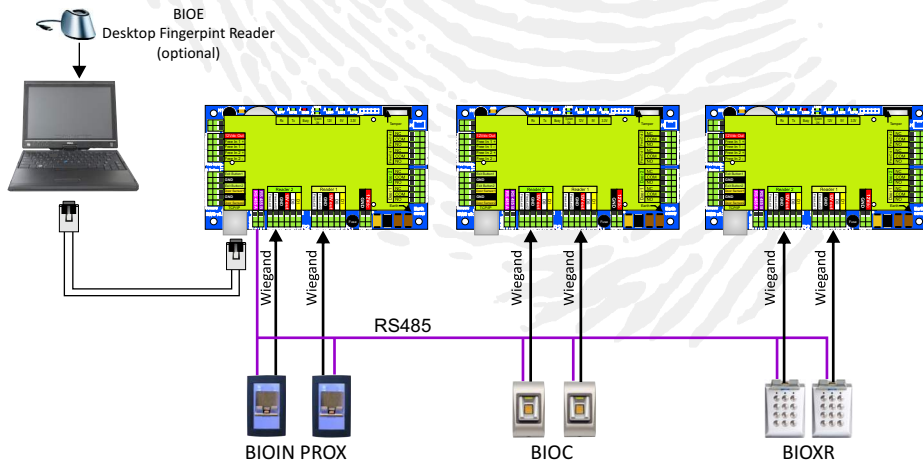
- Enrollment can be done from any biometric reader in the network or from BIOE - Desktop USB Enrollment Unit
- Finger templates can be sent to all readers in the network. Different Users can be sent to different Fingerprint Readers

B BioManager Software

- Windows based PC Software.
- Free Fingerprint Management Software for XPR Biometric Readers



E EWS controller - Architecture



P PROS Software

- Ideal for small installations
- Light graphic Interface
- User-friendly Windows Interface for simple programming, management and control of installations
- Unlimited number of Users
- Unlimited number of Access Levels
- Integrated fingerprint Biometry
- Enrollment of the fingerprint can be done from any reader in the network or from BioE - desktop enrollment unit
- 24 Time zones
- 32 Holidays
- Event viewer
- Reports with Iter for: Time, User, Department, Reader or Door
- Monthly based database