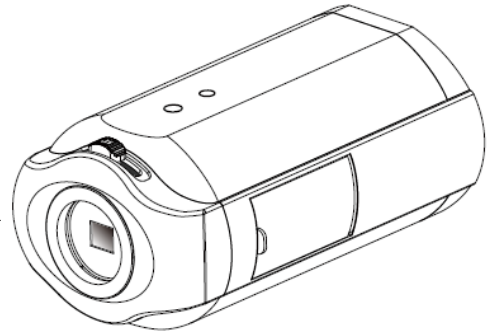




QPC-2650CQ

Key Features

- 1/3" CCD with Enhanced low-light sensitivity
- High resolution of 650TV Lines (color)
- True Day & Night function
- Improved Auto White Balance Range
- Motion Detection (Motion/Face Zone/Face)
- Digital Noise Reduction (DNR)
- Wide Dynamic Range (WDR) function
- DC / AC power source available
- RS-485 Remote Control Support
- OSD (On Screen Display) function



Specifications

Image Sensor		1/3" Format Interline CCD Sensor
Effective Picture Element		960(H)x582(V)
Scanning Frequency		2:1 Interlace H:15625Hz V:50.0Hz
Resolution		Day Mode: 650 TV Lines Max Night Mode: 700 TV Lines Back Light Compensation
S/N Ratio		50dB
Wide Dynamic Range		54dB
Video Output		BNC 75Ω unbalanced
Auto Iris Control		Video / Dc Drive Separate Output
IRIS Connector	Video	3pin Push Lock Terminal Block on Rear
	DC	4pin Connector on Rear
Lens Mount		CS Mount, Change C Mount by Adaptor
Back Focus Adjust		Adjust by Screw
Bracket Mounting Hole		1/4" Top and Bottom
Power Source	AC Mains	100~240VAC
	Low Voltage	12VDC ±10% / 24VAC ±20%
Power Consumption		4.5W Max
Power Indicator		3Ø Green LED on Rear Panel
Operating/Storage Temperature		-10°C~+50°C / -20°C~+60°C
Dimensions		73.5mm(W) x 58mm(H) x 126mm (L)

Functional		PAL
Exposure Control		AES / MES Video Auto IRIS/DC Auto IRIS
AES		Auto Luminance Control 1/60(1/50)-1/100000 Sec Max.
MES		8-Step 1/60(1/50), 1/100(1/120), 1/250, 1/500, 1/1k, 1/2k, 1/5k, 1/10k
Back Light Compensation		6 Area selectable and level adjustable
AGC Max Gain		36dB
White Balance Control		AWB / Ex-AWB / Push / Manual
AWB	Standard	2500K ~ 9500K
	Extended	1800K ~ 18000K
MWB Range		1 Preset, R Gain and B Gain Adjustable
Digital Noise Reduction		3D DNR Off / Low / Middle / High
Day / Night		Auto / Day / Night
Day / Night Configuration		Individual Setup for Day Mode and Night Mode
Chroma		Level 0-15 adjustable
Sync System		INT / Line Lock
Line Lock	Phase Adjust Range	0-270
	Frequency Range	50Hz +/- 1Hz
Privacy Zone		Up to 4 Areas Adjustable
Remote Control		RS485, Two Way Communication
IR Lamp Trigger		External Relay Contact input for IR Switching
Gamma Compensation		0.45 default, 8 step selectable
Digital Zoom		8x Max
Motion Detection		Off / Motion / Face Zone / Face