

Real clarity with HD-SDI



Full HD HD-SDI Camera

SCB-6000

The SCB-6000 is Samsung Techwin's HD-SDI megapixel digital camera, using HD-SDI technology this camera transfers HD Megapixel images without signal interruption or video delay; it is ideal for use in high-security surveillance applications for example; casinos, banking and hotels. The SCB-6000 can transfer full HD (1920 x 1080) resolution videos max. 100m distance at 30fps real-time. In addition, there is built-in true day&night, SDR and SSNR III.

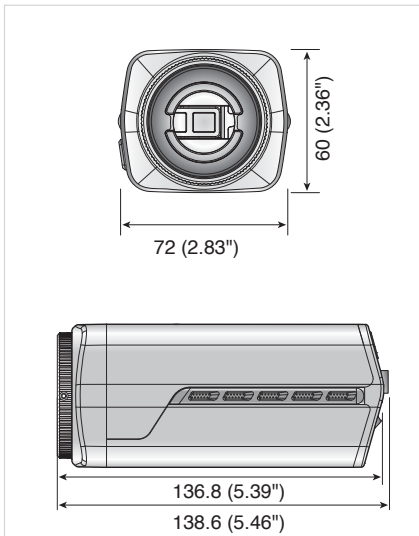
- Full HD (1,920x1,080, 30fps) mega resolution, HD(1280 x 720, 60fps)
- Min. Illumination 1 Lux @F1.2 (Color), 0.1 Lux (B/W)
- True Day & Night (ICR), MD
- SSNR III(3D+2D), RS-485, dual Power

Full HD HD-SDI Camera

SCB-6000



Dimensions



Specifications

SCB-6000	
VIDEO	
Imaging Device	1/3" Progressive Scan CMOS
Total Pixels	2,010(H) x 1,108(V), 2.2M Pixels
Effective Pixels	1,944(H) x 1,092(V), 2.1M Pixels
Scanning System	Progressive Scan
Min. Illumination	Color : 1Lux @ F1.2, 0.017 Lux (Sens-up, 60x), B/W : 0.1 Lux @ F1.2, 0.0017 Lux (Sens-up, 60x)
S / N Ratio	50dB (AGC off, Weight on)
Video Output	SMPTE292M (HD-SDI), Monitoring CVBS
LENS TYPE	
Lens Type	Manual / DC Auto Iris
Mount Type	C/CS
OPERATIONAL	
On Screen Display	English, Korean, French, German, Spanish, Italian, Chinese, Russian, Polish, Swedish, Danish, Portuguese, Japanese, Serbian, Czech, Romanian, Turkish, Taiwanese, Thai
Camera Title	Off / On (Displayed 15 characters)
Day & Night	Auto (ICR), Color & B/W , External
Backlight Compensation	Off / User BLC / HLC
Contrast Enhancement	SSDR (Off / On)
Digital Noise Reduction	SSNR III (Off / On)
Motion Detection	Motion Detection (Off / On)
Privacy Masking	Off / On (16 Rectangular zones)
Sens-up (Frame Integration)	2x ~ 60x
Gain Control	Off / Low / Medium / High
White Balance	ATW / Outdoor / Indoor / Manual / AWC (1,700K° ~ 11,000K°)
Electronic Shutter Speed	Esc / A.FLK / Manual
Digital Zoom	Off / On (1x ~ 16x)
Reverse	Off / H-Rev / V-Rev / HV-Rev
Alarm	(MD) Output 1, External D/N In 1
Communication	Unit : mm (inch) RS-485
Protocol	RS-485 : SAMSUNG-T, SAMSUNG-E, Pelco-D, Pelco-P, BOSCH, Honeywell, VICON, PANASONIC, GE, AD
ENVIRONMENTAL	
Operating Temperature / Humidity	0°C ~ +50°C (+14°F ~ +122°F) / Less than 90% RH
ELECTRICAL	
Input Voltage/Current	Dual (24V AC±10% & 12V DC±10%)
Power Consumption	Max. 6W
MECHANICAL	
Color / Material	Body : Dark Gray / Aluminum, Steel
Dimension (WxHxD)	72.0 x 60.0 x 136.8mm (2.83" x 2.36" x 5.39")
Weight	434g (0.96 lb)
TRANSMISSION DISTANCE	
L-5C2V (75ohm)	Max. 100 ~ 140m
L-6CHD (75ohm)	Max. 200m

* This transmission distance is theoretically calculated number, and real transmission distance can be affected by installation environment.



SAMSUNG TECHWIN AMERICA Inc.
100 Challenger Road, Suite 700, Ridgely Park, NJ 07660, UNITED STATES
Tol Free : 1-877-213-1222 Fax : 1-201-373-0124
www.samsungsecurityusa.com



The **Eco mark** represents Samsung Techwin's will to create environment-friendly products, and indicates that the product satisfies the EU RoHS Directive.

■ DISTRIBUTED BY



www.asi.ind.in