

## DH-HDC-HDB3200

2Megapixel 1080P Vandal-proof HD-SDI Dome Camera



### Features

- > 1/3" 2Megapixel Exmor CMOS
- > Standard HD-SDI high definition digital interface (SMPT274/292)
- > 25/30fps@1080p, 50/60fps@720P(1280×720)
- > DWDR, Day/Night(ICR), 2DNR, AWB, Auto iris, AGC, BLC
- > 3.3~12mm varifocal lens
- > OSD, AC24V/DC12V

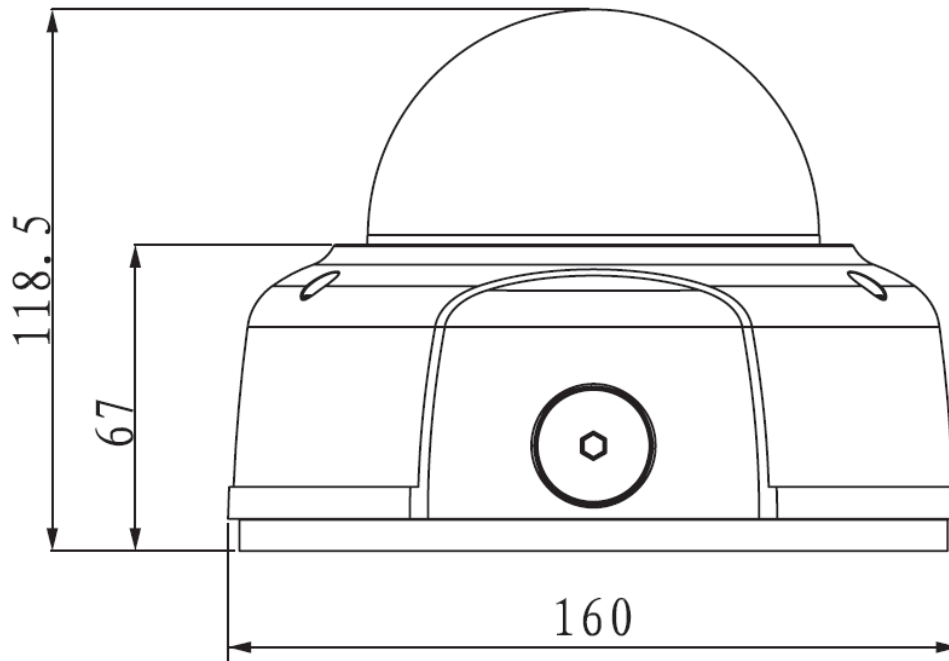
## DH-HDC-HDB3200

### Technical Specifications

Model	DH-HDC-HDB3200P	DH-HDC-HDB3200N
<b>Camera</b>		
Image Sensor	1/3" 2Megapixel Exmor CMOS	
Effective Pixels	1920(H) x1080(V)	1920(H) x1080(V)
Electronic Shutter	Auto/Manual(1/3~1/10000s)	Auto/Manual(1/4~1/10000s)
Image Resolution	25fps@1080P(1920×1080)/720P (1280×720); 50fps@720P(1280×720)	30fps@1080P(1920×1080)/720P (1280×720); 60fps@720P(1280×720)
Min. Illumination	Color: 0.1Lux/F1.4, B/W: 0.01Lux/F1.4	
S/N Ratio	>52dB	
Video Output	1Vp-p Composite Output (75Ω/BNC)	
HD-SDI Video Output	1ch HD-SDI high-definition video (SMPTE 292M standard)	
<b>Camera Features</b>		
OSD	English, Chinese(Simplified/Traditional)	
Day/Night	Auto(ICR) / Color / B/W	
Backlight Compensation	BLC / DWDR	
White Balance	Auto/ Manual	
Gain Control	Auto / Manual	
Noise Reduction	2D	
Picture Adjustment	Mirror / Brightness / Contrast / Sharpness / Hue / Gain	
<b>Lens</b>		
Focal Length	3.3~12mm	
Max Aperture	F1.4	
Focus Control	Manual	
Angle of View	H: 79.3°(Wide)~29.8°(Tele)	
Lens Type	Manual / Auto iris (DC)	
Mount Type	CS	
<b>Auxiliary Interface</b>		
RS485	1 Port	
<b>General</b>		
Power Supply	AC24V±10% / DC12V±10%	
Power Consumption	<12W	
Working Environment	-10 °C ~+60 °C, 10%~90%	
Dimensions	Φ160mm×118.5mm	
Weight	1.25Kg	

## DH-HDC-HDB3200

### Dimensions (mm)



<http://www.asi.ind.in>

#### **Dahua Technology Co., Ltd.**

1187 BinAn Road, Binjiang District, Hangzhou, China

Tel: +86-571-87688883

Fax: +86-571-87688815

Email: [overseas@dahuatech.com](mailto:overseas@dahuatech.com)

[www.dahuatech.com](http://www.dahuatech.com)

\*Design and specifications are subject to change without notice.

© 2012 Dahua Technology Co., Ltd.