

## HD262

### SUPER HIGH RESOLUTION VFAI LENS TRUE DAY/NIGHT IR INDOOR MINIDOME CAMERA

The Performance Series rounds out Honeywell's camera portfolio with a variety of indoor, outdoor and low-light cameras that lets end users pick the perfect camera for virtually any installation. Ideal for a diverse range of applications, the Performance Series includes a wide range of high performing IR bullet cameras and minidomes that are easy to install and even easier to use.

The Performance Series Plus line offers all of the above features plus the additional flexibility of dual voltage. Part of the Performance Series Plus line, the Honeywell HD262 True Day/Night IR minidome camera captures perfect color images by day and clear black-and-white images at night. The HD262 utilizes smart infrared technology. Auto LED brightness adjustment provides even distribution of the IR, eliminating excessive illumination and washed out video. When the ambient light drops below a defined threshold, the 28 IR LEDs activate, the mechanical IR cut filter within the camera is removed from the optical path, and the camera changes automatically from color to black-and-white mode. The IR LEDs provide up to 65 feet (20 m) of illumination, depending on scene reflectance.

The 2.8 – 12 mm (F1.4) varifocal auto iris lens offers a wide field of view range and does not shift focus when the camera switches from day to night mode. Digital Noise Reduction (DNR) removes noise artifacts and "ghosting," improving motion detection performance and giving users the ability to record for longer periods using their existing DVR unit.

The HD262 can be mounted to an indoor wall or ceiling in minutes. A two-conductor pigtail is included for connecting to the barrel connector so there is no need to cut wires during installation. Setup is quick and easy and can be customized with user-friendly on-screen displays and preset modes.

### Market Opportunities

The HD262 is a cost-effective surveillance solution for applications that experience changing light conditions throughout the day and require extra illumination at night. The HD262 is suitable for a variety of indoor commercial and residential spaces, including building entrances, lobbies, and atriums.

### Features

- True day/night function
- Movable IR cut filter
- 28 IR LEDs provide up to 65 ft. (20 m) of illumination, depending on scene reflectance
- 1/3" interline transfer CCD
- Smart IR for even distribution of the IR to prevent excessive illumination
- Digital noise reduction technology for noise free images
- 2.8 – 12 mm VFAI lens
- Super high resolution color: 620 TV lines
- On-screen display and local video output for fast setup
- 4 motion detection zones
- 8 privacy zones
- Two-conductor pigtail
- Dual voltage (24 V AC/12 V DC)
- 3D axis gimbal



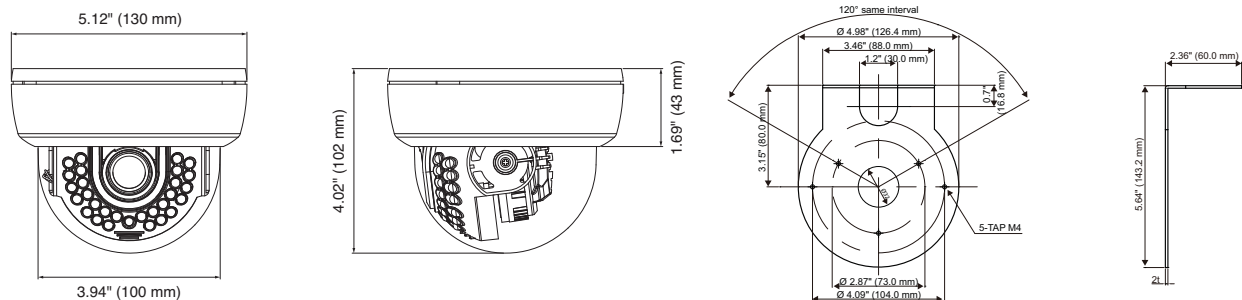
## SPECIFICATIONS

Operational	
Video Standard	NTSC
Scanning System	2:1 interlaced
Image Sensor	1/3" Interline Transfer CCD
Number of Pixels (H x V)	768 x 494
Minimum Illumination	0 lux (IR LEDs on)
Horizontal Resolution	620 TVL
Video Output	1.0 Vp-p, composite @ 75 ohms
Sync System	Internal/Line lock
S/N Ratio	50 dB or more (AGC off)
Lens Type	2.8 – 12 mm VFAI, DC drive, F1.4
Angle of View	Horizontal: 96.7° (wide) to 24.1° (tele) Vertical: 71.2° (wide) to 18.2° (tele)
Automatic Electronic Shutter	1/60 – 1/100,000 sec
IR LEDs	850 nm, 28 LEDs
IR Illumination Distance	Up to 65 ft. (20 m), depending on scene reflectance
DNR	Auto/Off/Low/Mid/High
BLC/HSBLC	Off/On
Day/Night	Color/BW/Auto/Ext
Gain Control	Off/Low/Mid/High
White Balance	ATW/AWC/Manual
Sens-Up	Auto (x2 to x1024)
Motion Detection	Off/On (4 programmable zones)
Privacy Masking	Off/On (8 programmable zones)
D-WDR	Off/On (Level adjustable)
Sharpness	Off/On (Level adjustable)
Mirror	Horizontal
Smart IR	Off/On (Level adjustable)

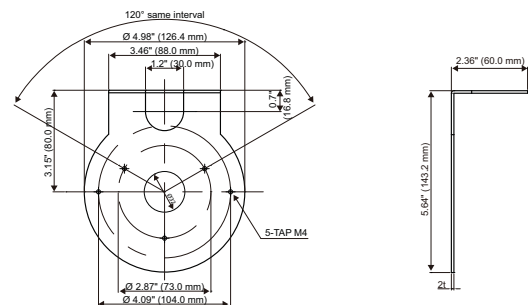
Electrical	
Input Voltage	12 V DC/24 V AC
Input Range	11–16 V DC/17–28 V AC
Power Consumption	5 W (max)
Mechanical	
Dimensions (W x H x D)	5.12" x 4.02" x 5.12" (130 mm x 102 mm x 130 mm)
Weight	0.66 lb. (0.3 kg)
Construction	Housing: ABS Dome Cover: Polycarbonate
Connectors	Main Video: BNC (coax) Aux: 2-pin connector for video test cable Power Input: 2.1 mm plug
Environmental	
Temperature	Operating: 14°F to 122°F (-10°C to 50°C) Storage: -4°F to 140°F (-20°C to 60°C)
Relative Humidity	0% to 95%, non-condensing
Recommended Accessories	
Housing Mounts	
H DPR-WK2	Wall mount bracket
Power Supplies	
HPT12DC500	12 V DC/500 mA Plug-in Regulated 2.1 mm Coaxial Plug UL Listed/CSA Certified
HPT2440	24 V AC, 40 VA Class 2 Plug-in with thermal cut-out
Regulatory	
Emissions	FCC, Part15B, Class A, EN55022
Immunity	EN50130-4

**NOTE:** Honeywell reserves the right, without notification, to make changes in product design or specifications.

### Dimensions



### HDPR-WK2 Wall Mount



Ordering	
HD262	TDN Indoor Minidome Camera, 1/3" CCD, 620 TVL, 2.8 – 12 mm VFAI Lens, 28 IR LEDs, 12 V DC/24 V AC, NTSC

### For more information:

www.honeywell.com/security

### Automation and Control Solutions

Honeywell Security Products Americas  
2700 Blankenbaker Pkwy, Suite 150  
Louisville, KY 40299  
1.800.323.4576  
www.honeywell.com

L/HD262/D  
April 2013  
© 2013 Honeywell International Inc.

# Honeywell

www.asi.ind.in