

## HD5

www.honeywellvideo.com

### SUPER HIGH RESOLUTION, DAY/NIGHT OR ULTRA WIDE DYNAMIC COLOR INDOOR MINI-DOME CAMERAS

Honeywell's HD5 Series of indoor fixed dome cameras is ideal for discreet fixed camera surveillance where high-quality video is a necessity. Each unit packages a high-performance camera and a full-sized CS mount lens into a small, aesthetically pleasing 5-inch dome. In-ceiling and pendant dome options are available with black or white trim ring finishes, and smoke or clear lower domes.

The HD5 is highly customizable for your needs. There are three camera models to choose from: the super high-resolution 540 TVL camera; a Wide Dynamic Range camera that uses the Digital Pixel System® (DPS) sensor technology; and a 540 TVL Digital Noise Reduction (DNR) technology to produce extremely sharp and clear images regardless of lighting levels. DNR removes noise artifacts, increasing the performance of motion detection and typically providing longer recording durations on digital and network video recorders.

Easy accessible switches on the top of the camera make setup quick. The HD5U and the HD5SD also come with a one-button camera setup lever control to access the on-screen display menu. The compact flush one-piece mount design allows for fast, easy installation. A pendant mount and standard 4x4 electrical box kit is available for inconspicuous installation in virtually any application. A service/monitor cable is also included for easy on-site adjustments.

The HD5 is equipped, depending on your needs, with either a 2.7-13.5 mm or 5-50 mm Vari-focal Auto Iris or Manual Iris lens to cover a wide range of viewing angles. This is supplemented by easy picture adjustment via the 3-D axis gimbal that is capable of 360° of pan, 180° of tilt and 360° of horizontal rotation.

The HD5 accepts either 12 VDC or 24 VAC (auto sensing) for proper operation and flexible installation. In addition, the HD5 Series is available in two transmission media (Coaxial or UTP) integrated inside the camera.

#### Market Opportunities

The HD5 is a general surveillance solution designed for object recognition required in locations where variable light and low light conditions exist. True color reproduction and excellent low light performance result in enhanced picture quality. Attractive cosmetic appearance makes HD5 Series dome cameras the ideal solution for a wide range of surveillance applications such as retail sites, casinos, banks, malls, residential applications or hotel lobbies – anywhere surveillance must be discreet.

#### Features

- 1/3" Sony HAD CCD™ or Ultra Wide Dynamic DPS imager
- Models available: 540 TVL, 540 TVL Day/Night with DNR and 540 TVL Wide Dynamic
- Vari-focal lenses available:  
2.7-13.5 mm or 5-50 mm Auto Iris lenses, 2.7-13.5 mm or 5-50 mm Manual Iris lenses
- Pendant and back box mount kits available
- Black or white trim-ring finishes available
- Smoke or clear domes available
- Dual 12 VDC/24 VAC
- Local video output for setup
- Two transmission media (Coaxial, UTP) integrated inside the camera



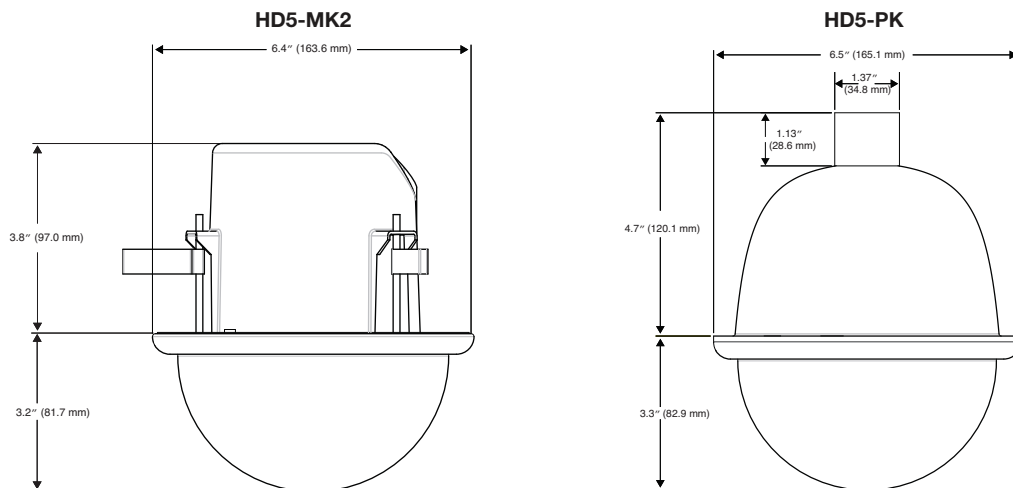
HD5 Series  
(Black shown)

## SPECIFICATIONS

Operational	HD5CH, HD5CHTP/ HD5CHX, HD5CHTPX	HD5U, HD5UTP/ HD5UX, HD5UTPX	HD5SD, HD5SDTP/ HD5SDX, HD5SDTPX
Video Standard	NTSC/PAL	NTSC/PAL	NTSC/PAL
Scanning System	525 lines, 2:1; 625 lines, 2:1 Interlace	525 lines, 2:1; 625 lines, 2:1 Progressive	525 lines, 2:1; 625 lines, 2:1 Interlace
Image Sensor	1/3" Interline Transfer CCD	1/3" WDR digital image device	1/3" Interline Transfer CCD
Number of Pixels (H x V)	768 x 494 (NTSC); 752 x 582 (PAL)	720 x 540	768 x 494 (NTSC); 752 x 582 (PAL)
Minimum Illumination	0.6 lux @ F1.3	0.4 lux @ F1.3	0.3 lux @ F1.3 (Color) 0.03 lux @ F1.3 (B/W) (Sens Up)
Horizontal Resolution	540 TVL		
Video Output	1.0 Vp-p Coax @ 75 Ohms 1.0 Vp-p UTP @ 100 Ohms (All TP models)		
Sync System	12 VDC: Internal, 24 VAC: Line lock		
S/N Ratio	50 dB (AGC Off)		
Auto Gain Control	On/off, switchable	Auto (0-36 dB maximum)	On/off, selectable
ALC	Direct Drive (DC) Auto Iris (only)		
Automatic Electronic Shutter	1/60 – 1/100,000 second; 1/50 – 1/100,000 second		1/60 – 1/120,000 second; 1/50 – 1/120,000 second
White Balance	Selectable ATW/AWC	ATW/AWB/ATW Xtn'd/ Manual	ATW/AWC/Manual
Line Lock Phase Adjust	Adjustable line lock vertical phase		
Lens Type	2.7-13.5 mm Auto or Manual 5-50 mm Auto or Manual		
AI/AES Selection	On/Off Switchable		
Gamma	0.45		
<b>Electrical</b>			
Input Voltage	12 VDC/24 VAC		
Input Range	11-16 VDC, 17-28 VAC		
Surge Suppression	1.5 kW Transient		
Power Consumption	3.5 W (max)		
<b>Mechanical</b>			
Dimensions (W x H x D)	See diagram on next page		
Weight	0.88 lb (0.4 kg) max (camera and lower bubble only)		
Housing Construction	PCABS (Polycarbonate/Acrylonitrile Butadiene Styrene blend)		
Video Output	BNC connector or UTP connector (twisted pair models)		
Power Input	12-inch tinned leads		

## SPECIFICATIONS

Environmental	
Temperature	Operating: 14°F to 122°F (-10°C to 50°C) Storage: -4°F to 140°F (-20°C to 60°C)
Relative Humidity	0% to 85% non-condensing
Mounts	
HD5-MK2	Flush Mounting Kit
HD5-PK	Pendant Mount Kit
Regulatory	
Emissions	FCC, CE (EN55022)
Immunity	CE (EN50130-4)
Safety	UL60065, EU LVD 2006/95/EC



## Ordering

Model		Camera		CAT5 Option		Lens		Mounting Kit		Format		Bubble / Trim Ring*	
HD5		C	540 TVL High Resolution	C	Coax	2	2.7-13.5 mm AI Vari-focal	P	Pendant Mount	N	NTSC	A	Clear Bubble/Black Trim
		U	540 TVL Wide Dynamic	T	UTP	3	2.7-13.5 mm MI Vari-focal	F	Flush Mount	P	PAL	B	Clear Bubble/White Trim
		S	540 TVL Day/Night DNR			5	5-50 mm AI Vari-focal	O	None			C	Smoke Bubble/Black Trim
						6	5-50 mm MI Vari-focal					D	Smoke Bubble/White Trim
												O	No Bubble

\* Gold or Chrome bubble options also available. Contact Inside Sales at 1 800 796 2288 for ordering information.

**Automation and Control Solutions**

Honeywell Systems  
2700 Blankenbaker Pkwy, Suite 150  
Louisville, KY 40299  
1.800.323.4576  
[www.honeywell.com](http://www.honeywell.com)

L/HD5D/D  
February 2011  
© 2011 Honeywell International Inc.

**Honeywell**

[www.asi.ind.in](http://www.asi.ind.in)