



QPI-70211V

- 700TV Lines
- WDR
- 3D-DNR
- 25m IR, Vandal

700TVL Hi-resolution IR Dome Camera



SPECIFICATIONS

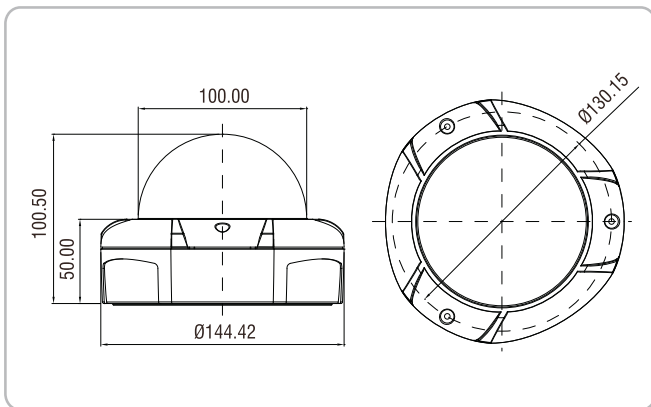
MODEL	QPI-70211V
Image Sensor	1/3" SONY Super HAD II (Double Scan) CCD
Total Pixels	1028(H) x 596(V)
Scanning system	2:1 Interlace
Scanning Frequency	15.625KHz(H), 50Hz(V)
Sync. System	Internal
Resolution	Max 700 TV lines in color @ HR 7 mode (750TV lines in B/W @ HR 7 mode)
Min. illumination	Color : 0.3 lux , BW : 0.1 lux Color DSS : 0.0005 lux , BW DSS : 0.0002 lux
Video Output	1.0 Vp-p (75 ohm, composite)
S/N Ratio	more than 50dB (AGC off)
Lens	2.8~11mm Varifocal Lens
Lens Control	ALC / ELC
Gain Control	0 ~ 30dB
Shutter Speed	1/60 ~ 1/100,000 sec 1/50 ~ 1/100,000 sec
Digital Slow Shutter	x2 ~ x512
WDR/BLC	Off / WDR / BLC
Day&Night	Day / Night / Auto / Ext
White Balance	ATW / One Push / Indoor / Outdoor / Manual / Auto
DNR	Off / Manual (1 ~ 10) / Auto
HR	Off / 1 ~ 7 steps
Mirror	Off / V / H / H&V
E.Zoom	Off / Max x2 ~ x32 / Digital Pan / Digital Tilt
Privacy Mask	16 positions
Motion Detection	Off / 3 positions
Object Detection	Off / On

FEATURES

- 1/3" Sony Super HAD II CCD (Double scan)
- High Resolution of 700 TV lines
- 25m IR Distance, 24LEDs
- Day & Night Capability with High Sensitivity
- Wide Dynamic Range (x512)
- Digital Noise Reduction (2D+3D)
- Privacy Mask Function
- Varifocal Lens : 2.8~11mm
- Excellent Auto Tracking White-Balance
- Easy operation by On Screen Display
- Extra Video out
- Wall or ceiling mounting through internal 3-axis camera bracket

DIMENSIONS

Unit : mm



CONNECTIONS

