

## DH-IPC-HDB3110

### 1.3Megapixel HD Vandal-proof Network Dome Camera



#### Features

- 1/3" 1.3Megapixel progressive scan SONY CCD
- H.264 & MJPEG dual-stream encoding
- Max 12/15fps@1.3M(1280×720)&25/30fps@720P(1280x720)
- Day/Night(ICR), 2DNR, Auto iris, AWB, AGC, BLC
- Multiple network monitoring: Web viewer, CMS(DSS/PSS) & DMSS
- 2.8~12mm varifocal lens
- Built-in 2/1 alarm in/out
- Micro SD memory, IP66, IK10, PoE

# DH-IPC-HDB3110

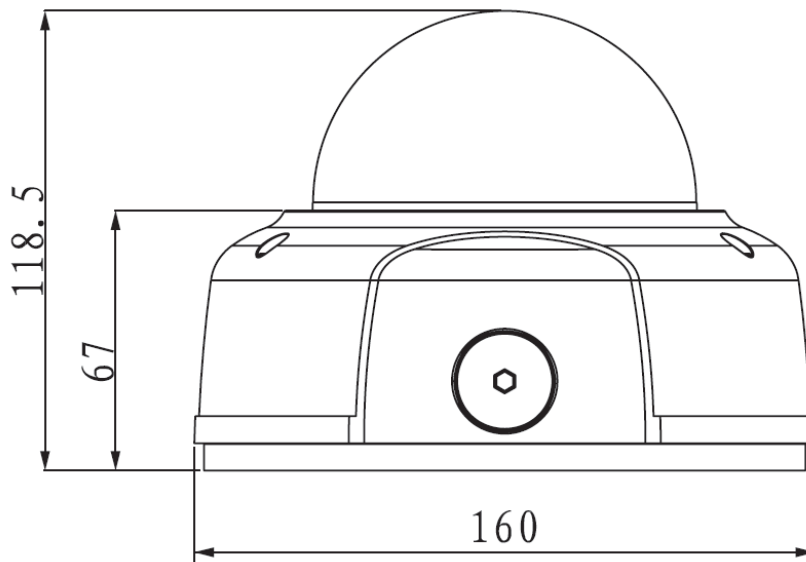
## Technical Specifications

Model	DH-IPC-HDB3110P		DH-IPC-HDB3110N	
<b>Camera</b>				
Image Sensor	1/3" 1.3Megapixel PS CCD			
Effective Pixels	1280(H)x960(V)			
Scanning System	Progressive			
Electronic Shutter Speed	Auto/Manual 1/50~1/10000		Auto/Manual 1/60~1/10000	
Min. Illumination	0.2lux/F1.4(color),0.01Lux/F1.4(B/W),0Lux(IR on)			
S/N Ratio	> 50dB			
Video Output	1 channel BNC(1.0Vp-p, 75Ω)			
<b>Camera Features</b>				
Day/Night	Auto(ICR) / Color / B/W			
Backlight Compensation	BLC / HLC / DWDR			
White Balance	Auto			
Gain Control	Auto / Manual			
Noise Reduction	2D			
Privacy Masking	Up to 4 areas			
<b>Lens</b>				
Focal Length	2.8~12mm			
Max Aperture	F1.4			
Focus Control	Manual			
Angle of View	H: 92°(Wide)~27.2°(Tele)			
Lens Type	Manual / Auto Iris (DC)			
Mount Type	CS			
<b>Video</b>				
Compression	H.264 / MJPEG			
Resolution	1.3M(1280×960) 720P(1280×720) D1(704×576) / CIF(352×288) /		1.3M(1280×960) / 720P(1280×720) / D1(704×480) / CIF(352×240) /	
Frame Rate	Main Stream	1.3M(1~12fps)/720P(1 ~ 25fps)		1.3M(1~15fps)/720P(1 ~ 30fps)
	Sub Stream	D1/CIF(1 ~ 25/30fps)		
Bit Rate	H.264: 32K ~ 8192Kbps, MJPEG: 32K ~ 10240Kbps			
<b>Audio</b>				
Compression	G.711a / G.711u (64kbps)/ PCM(128kbps)			
Interface	1/1 channel In/Out			
<b>Network</b>				
Ethernet	RJ-45 (10/100Base-T)			
Protocol	IPv4/IPv6, HTTP, HTTPS, SSL, TCP/IP, UDP, UPnP, ICMP, IGMP, SNMP, RTSP, RTP, SMTP, NTP, DHCP, DNS, PPPOE, DDNS, FTP, IP Filter, QoS, Bonjour			
ONVIF	ONVIF Ver. 2.0			
Max. User Access	10 users			

## DH-IPC-HDB3110

Smart Phone	iPhone, iPad, Android, Windows Phone
<b>Auxiliary Interface</b>	
Memory Slot	Micro SD, Max 32GB
Alarm	2/1 channel In/Out
<b>General</b>	
Power Supply	DC12V/AC24V, PoE(802.3af)
Power Consumption	<8W
Working Environment	-10°C~+60°C, 10%~90%
Protection Level	IK10 & IP66
Dimensions	Φ160mm×118.5mm
Weight	1.25kg

### Dimensions (mm)



<http://www.asi.ind.in>

### Dahua Technology Co., Ltd.

1187 BinAn Road, Binjiang District, Hangzhou, China

Tel: +86-571-87688883

Fax: +86-571-87688815

Email: [overseas@dahuatech.com](mailto:overseas@dahuatech.com)

[www.dahuatech.com](http://www.dahuatech.com)

\*Design and specifications are subject to change without notice.

© 2012 Dahua Technology Co., Ltd.