

## DH-IPC-HD2100

---

### 1.3Megapixel HD Network Mini Dome Camera



#### Features

- 1/3" 1.3Megapixel progressive scan Aptina CMOS
- H.264 & MJPEG dual-stream encoding
- Max 15fps@1.3M(1280×960)&25/30fps@720P(1280×720)
- Day/Night, 2DNR, AWB, AGC, BLC
- Multiple network monitoring: Web viewer, CMS(DSS/PSS) & DMSS
- 3.6mm fixed lens (2.8mm,6mm,8mm optional)
- DC12V, PoE

# DH-IPC-HD2100

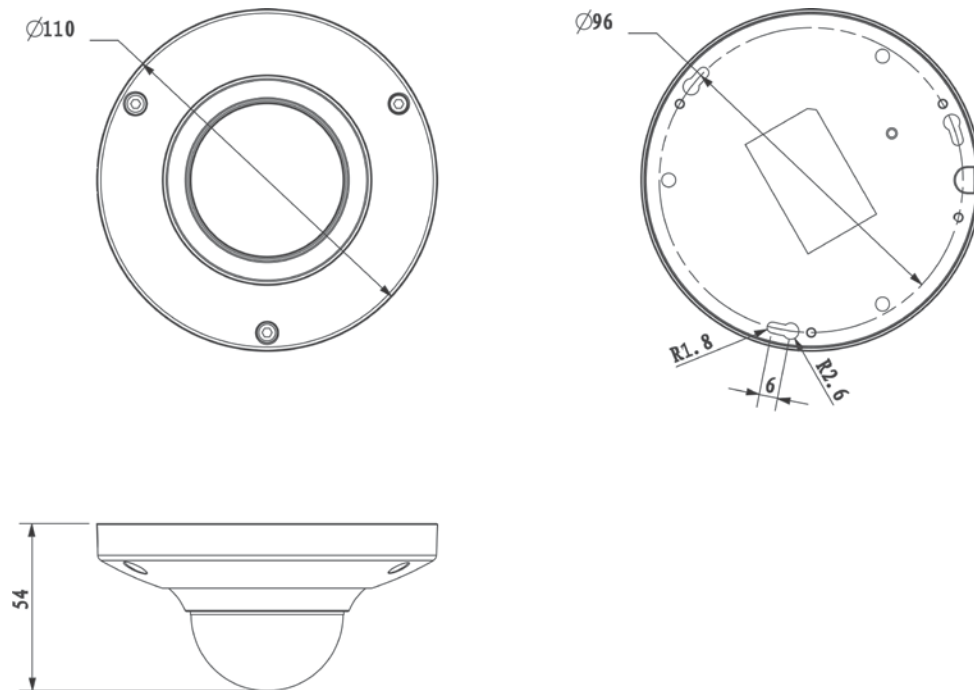
## Technical Specifications

Model	DH-IPC-HD2100P		DH-IPC-HD2100N	
<b>Camera</b>				
Image Sensor	1/3" 1.3Megapixel Aptina CMOS			
Effective Pixels	1280(H)x960(V)			
Scanning System	Progressive			
Electronic Shutter Speed	Auto/Manual 1/3~1/10000		Auto/Manual 1/3~1/10000	
Min. Illumination	Color: 0. 1LUX/F1.4			
S/N Ratio	> 50dB			
<b>Camera Features</b>				
Day/Night	Auto(Electronic) / Color / B/W			
Backlight Compensation	BLC			
White Balance	Auto			
Gain Control	Auto/Manual			
Noise Reduction	2D			
Privacy Masking	Up to 4 areas			
<b>Lens</b>				
Focal Length	3.6mm (2.8mm,6mm,8mm optional)			
Max Aperture	F1.8(F.20/F1.8/F1.6)			
Angle of View	H: 70°(114°/46°/35°)			
Mount Type	Board-in Type			
<b>Video</b>				
Compression	H.264 / MJPEG			
Resolution	1.3M(1280×960) / 720P(1280×720)/ D1(704×576) / CIF(352×288)/		1.3M(1280×960) / 720P(1280×720) / D1(704×480) / CIF(352×240) /	
Frame Rate	Main Stream	1.3M(1~15fps)/720P(1 ~ 25/30fps)		
	Sub Stream	D1/CIF(1 ~ 25/30fps)		
Bit Rate	H.264: 32K ~ 8192Kbps, MJPEG: 32K ~ 12288Kbps			
<b>Network</b>				
Ethernet	RJ-45 (10/100Base-T)			
Protocol	IPv4/IPv6, HTTP, HTTPS, SSL, TCP/IP, UDP, UPnP, ICMP, IGMP, SNMP, RTSP, RTP, SMTP, NTP, DHCP, DNS, PPPOE, DDNS, FTP, IP Filter, QoS, Bonjour			
ONVIF	ONVIF Ver. 2.0			
Max. User Access	10 users			
Smart Phone	iPhone, iPad, Android, Windows Phone			
<b>General</b>				
Power Supply	DC12V, PoE(802.3af)			
Power Consumption	<1.5W			
Working Environment	-10°C~+60°C, 10%~90%			
Dimensions	Φ110×54mm			

## DH-IPC-HD2100

Weight	0.25kg
--------	--------

### Dimensions (mm)



<http://www.asi.ind.in>

---

#### Dahua Technology Co., Ltd.

1187 BinAn Road, Binjiang District, Hangzhou, China

Tel: +86-571-87688883

Fax: +86-571-87688815

Email: [overseas@dahuatech.com](mailto:overseas@dahuatech.com)

[www.dahuatech.com](http://www.dahuatech.com)

\*Design and specifications are subject to change without notice.

© 2012 Dahua Technology Co., Ltd.