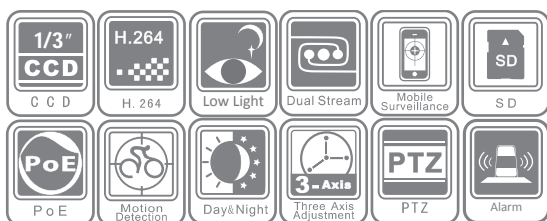


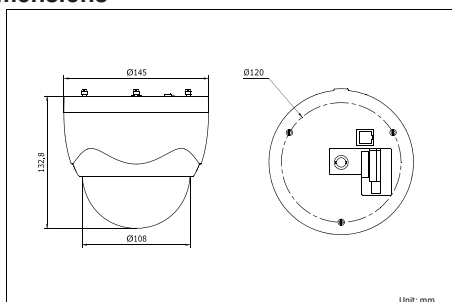
## DS-2CD702/712P(N)F-E Network Dome Camera



### Key features

- High performance 1/3" Sony CCD
- H.264 video compression
- Low illumination: 0.1 lux
- Day / night auto switch
- PoE
- 3-axis adjustment

### Dimensions



### Accessories



DS-1611ZJ  
(Wall Mount)



DS-1671ZJ  
(In-ceiling Mount)

### Specifications

	DS-2CD702PF (NF) -E	DS-2CD712PF (NF) -E
<b>Camera</b>		
Image sensor	1/3" Sony CCD	
Signal system	PAL / NTSC	
Min. illumination	0.1 lux@F1.2, AGC on	
Shutter time	1/50 (1/60)s ~ 1/100,000s	
Lens	3.5 - 9 mm @F1.2 Angle of view: 80° ~ 30°	
Lens mount	Φ14	
Angle adjustment	Pan: 0 ~ 355°, tilt: 0 ~ 75°, rotation: 0 ~ 180°	
Day & night	Electronic	
Horizontal resolution	420 TVL	480 TVL
<b>Compression standard</b>		
Video compression	H.264 (MPEG-4 optional)	
Bit rate	32 Kbps ~ 8 Mbps	
Audio compression	OggVorbis	
Dual stream	Yes	
<b>Image</b>		
Max. image resolution	PAL: 704 × 576, NTSC: 704 × 480	
Frame rate	50 Hz: 25 fps (704 × 576) 60 Hz: 30 fps (704 × 480)	
Image settings	Saturation, brightness, contrast adjustable through client software or web browser	
<b>Network</b>		
Network storage	NAS ( iSCSI optional)	
Alarm trigger	Motion detection, network disconnect , IP address conflict, storage exception	
Protocols	TCP/IP, HTTP, DHCP, DNS, DDNS, RTP/RTSP, PPPoE, SMTP, NTP (SNMP, HTTPS, SIP, FTP, SRTP, 802.1x, IPv6 optional)	
Security	Password protection, watermark	
System compatibility	ONVIF, PSIA, CGI	
<b>Interface</b>		
Audio input	1-ch, line level, 2.0 ~ 2.4 Vp-p, 1 kΩ	
Audio output	1-ch, line level, 600 Ω	
Communication interface	1 RJ45 10M / 100M ethernet port and 1 RS-485 interface	
Alarm input	1	
Alarm output	1	
Video output	1 Vp-p composite output (75 Ω / BNC)	
Local storage	Built-in SD/SDHC slot, up to 32 GB	
<b>General</b>		
Operating conditions	-10°C ~ 60°C (14°F ~ 140°F) Humidity 90% or less (non-condensing)	
Power supply	12 VDC ± 10%, PoE (802.3af)	
Power consumption	4W max.	
Dimensions	Φ 145 × 132.8 mm (Φ 5.71" × 5.23")	
Weight	900g (1.98 lbs)	

### Available models

DS-2CD702PF-E, DS-2CD702NF-E, DS-2CD712PF-E, DS-2CD712NF-E