

HD3MWHI

www.honeywellvideo.com

equiP® SERIES WIDE DYNAMIC 720p TRUE DAY/NIGHT INDOOR MINIDOME IP CAMERA

Honeywell's latest addition to the equiP® Series of IP-based products, the HD3MWHI, is a high definition, Wide Dynamic, True Day/Night indoor fixed minidome network camera engineered to provide extremely crisp images at minimal bandwidth. The HD3MWHI provides 720p resolution at full frame rate. Progressive scan technology and 2D edge enhancement provide outstanding clarity and definition. Digital Noise Reduction (DNR) results in significant storage savings without sacrificing image quality in low light. The 1/3" progressive scan CMOS sensor offers the latest in digital video surveillance technology with accurate color rendition through a wide variety of lighting conditions. The HD3MWHI also supports the PSIA specification for interoperability between network video products.

The compact, one piece design provides fast and easy installation in any application. The camera comes complete with surface and flush mounting options (compatible with a 4S electrical box) and an optional wall/pendant mount kit is available.

In addition to the low-light color performance, the camera will automatically switch to black and white. In this mode, lighting can be complemented with infrared for discreet/covert low-light surveillance with exceptional monochrome images. In high contrast lighting conditions, the HD3MWHI delivers higher quality images and significantly better dynamic range (>100 dB) than conventional IP cameras. Designed for environments with difficult lighting, the HD3MWHI camera offers a unique solution to capture the whole picture regardless of lighting condition or application.

A 3D axis gimbal capable of 360° of pan, 180° of tilt and 360° of horizontal rotation simplifies mechanical camera adjustment. The Varifocal Auto Iris lens allows the field of view to be adjusted to suit the scene requirements.

A powerful and intuitive web client allows fine tuning of the camera. This can also be performed from most NVR setup utilities.

The HD3MWHI supports dual video streams and multiple compression formats with frame rates up to 30 frames per second (25 fps for PAL systems). The compression parameters for the two video streams are independently configurable. The primary stream is dedicated to H.264. The secondary stream can be configured for H.264 or MJPEG. The HD3MWHI features analog video out for aiming and focusing during setup.

With built-in low current power over Ethernet (IEEE 802.3af), power is supplied to the camera using standard network cabling, eliminating the need for a separate power supply and associated wiring. In retrofit situations where PoE support is not available, the unit can also be powered directly from 24 V AC.

Market Opportunities

The HD3MWHI is perfect for installations where excellent picture clarity at minimal bandwidth is required. At three times the resolution of standard analog cameras, yet with similar bandwidth requirements, the HD3MWHI can be retrofitted on many existing NVR installations without requiring additional storage.

Features

- Outstanding image quality, 720p (1280 x 720) resolution
- 30 fps (25 fps PAL) progressive scan
- True Day/Night, 3.3–12 mm VFAI lens with mechanical IR cut filter
- Dynamic range: 115 dB
- Camera tamper detection
- Video motion detection
- Wall/pendant mount kit available
- Selectable compression formats
- Dual digital video streams, independently configurable, H.264 and/or H.264/MJPEG
- Remote firmware update
- Supports both dynamic and static IP addresses
- Single model for surface mount and recessed ceiling applications, 4S adapter plate also supplied
- Includes advanced IP locator software to make system setup easy
- Web server for remote setup of camera video and network parameters
- Choice of 24 V AC or PoE IEEE 802.3af power inputs
- Supports input and output alarm contacts
- Supports bidirectional audio
- PSIA support



HD3MWHI shown with mounting ring for surface mount



HD3MWHI shown without mounting ring for flush mount

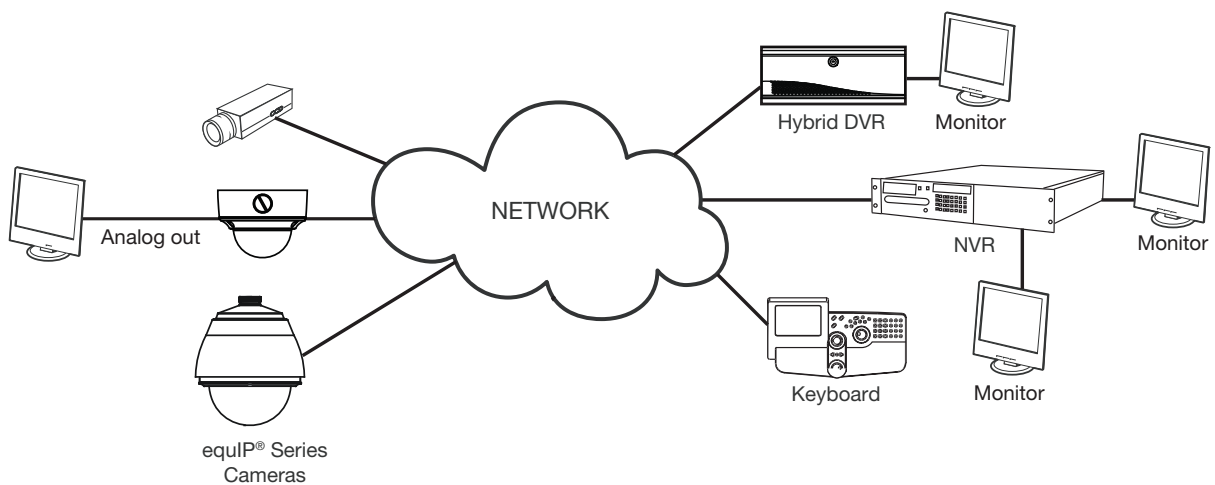


SPECIFICATIONS

Like all cameras in the equiP® Series of IP-based products, the HD3MWHI network camera uses Honeywell technology for camera video motion detection, tamper detection, remote firmware updating and for secure storage of all camera settings. Video motion detection recognizes object motion within the field of view; then a simple on-screen notification alerts the user. Camera tamper detection notifies the user when a camera's field of view is altered, blinded or blurred. This ensures the video's integrity and alerts the customer to either a live event or a system problem that is causing disruption to the video stream. Honeywell's technology also allows users to remotely upload firmware to the camera. Setup is quick and easy and can be customized through a web client or from an NVR. The built-in web server provides password-protected access to the camera's video and network setup.



System Diagram



SPECIFICATIONS

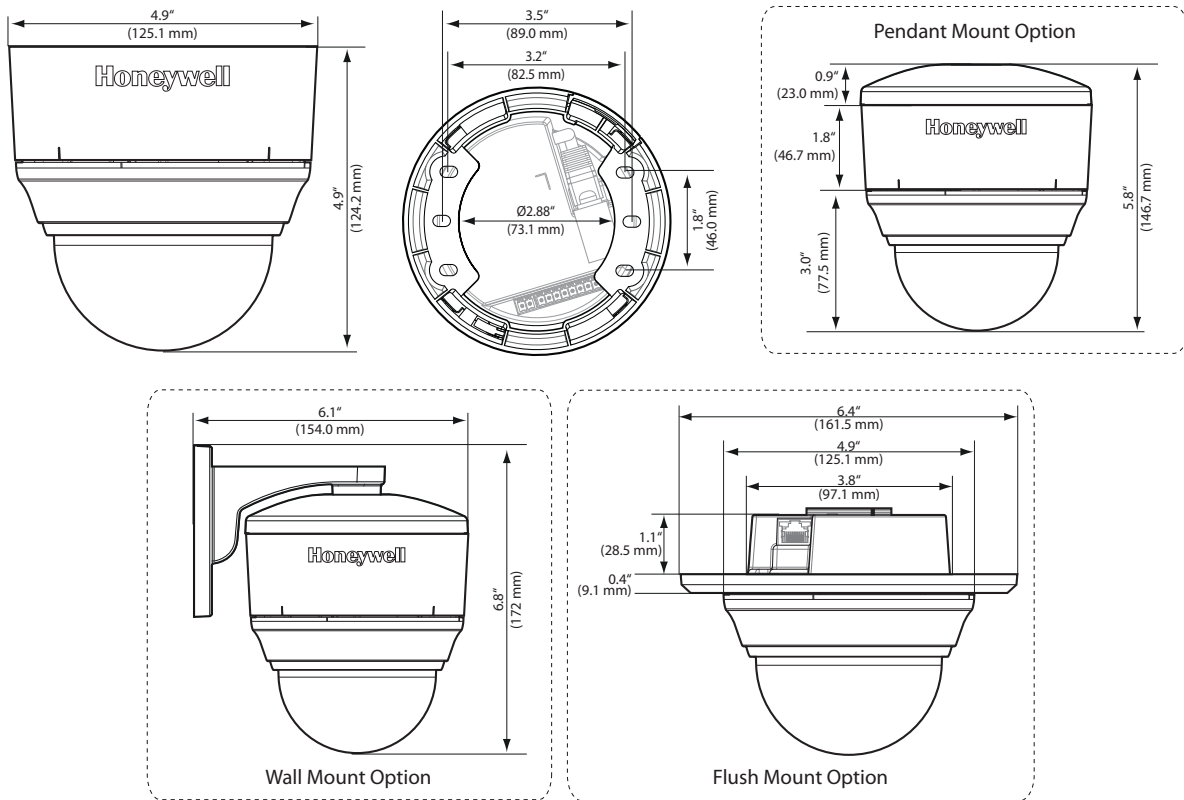
Operational				Environmental			
Video Standard	NTSC, PAL			Temperature	Operating: 14°F to 122°F (-10°C to 50°C) Storage: -4°F to 140°F (-20°C to 60°C)		
Scanning System	Progressive scan			Relative Humidity	0% to 85%, non-condensing		
Image Sensor	1/3" CMOS			IP Specifications			
Number of Pixels (H x V)	1280 x 720			Video Compression	Dual stream H.264 and MJPEG		
Minimum Illumination	0.14 lux color/0.1 lux BW @ 50 IRE, F1.6			Primary Stream Resolution	Bitrate H.264 (Typical)*	Frame Rate	Storage/Day (GB)
Video Output (Aux)	1.0 Vp-p @ 75 ohms			1280 x 720	2.7 Mbps	30/25	28.48
Dynamic Range	115 dB			800 x 450	1.8 Mbps	30/25	18.98
S/N Ratio	50 dB or more (AGC off)			640 x 360	0.9 Mbps	30/25	9.49
Auto Gain Control	Off/On, selectable (20-40 dB)			320 x 180	0.315 Mbps	30/25	3.32
Automatic Electronic Shutter	1/30-1/87,000 sec (NTSC and PAL)			Frame Rate NTSC/PAL	Up to 30/25 fps video in all resolutions		
Lens Type	True Day/Night (TDN), 3.3 - 12 mm Varifocal Auto Iris, F1.6			Video Streaming	Dual streaming: H.264 and MJPEG Controllable frame rate and bandwidth Constant or variable bit rate		
Angle of View		Wide	Tele	Security	Multiple user access levels with password protection		
	Diagonal	125.7°	29.9°	Video Access from Web Browser	Full control of all camera settings available to administrator		
	Horizontal	89.8°	23.9°	Minimum Web Browsing Requirements	Pentium IV CPU 3.1 GHz or faster 1 GB RAM (32-bit) or 2 GB RAM (64-bit) Windows XP® SP3, Windows 2003 Server R2 (32-bit), Windows 7 (32-/64-bit), Windows 2008 Server (32-/64-bit), Windows 2008 R2 (64-bit) Internet Explorer 6, 7, 8, or 9		
	Vertical	63.6°	17.9°		Installation and Management Maintenance	Honeywell IP Utility software identifies the IP address, discovers cameras, supports firmware upgrades	
White Balance	Auto, Manual, WBC Push			Supported Protocols	HTTP, TCP, RTSP, RTP, UDP, ARP, DNS, RTCP, FTP, ICMP, DHCP, Bonjour, IGMP, Telnet		
Audio/Two-Way	Line in/out			Standards	PSIA support		
Electrical				Regulatory			
Input Voltage	24 V AC, PoE IEEE 802.3af			Emissions	FCC, CE (EN55022)		
Input Range	17-28 V AC			Immunity	CE (EN50130-4)		
Surge Suppression	1.5 kW transient			Safety	EU: EN60950-1 North America ETL listed to UL/CSA 60950-1		
Power Consumption	5.0 W (max) 24 V AC PoE: PD Type 1 Class 2						
Mechanical							
Dimensions (W x H)	4.9" x 4.9" (125.1 mm x 124.2 mm)						
Weight	1.04 lb (0.47 kg) camera only						
Construction	Housing: Polycarbonate and Die cast aluminum Finish: Matte texture, off white						
Connector	Video Output: 2-pin Molex connector Power Input: Removable screw block Network: RJ45 connector Alarm I/O: Removable screw block Audio In: Removable screw block Audio Out: Removable screw block						

*Actual bitrate is scene and motion dependent with H.264 stream.

SPECIFICATIONS

System Integration
Open IP Integration
PSIA support and open API for real interoperability between Honeywell and other manufacturer's IP-enabled security devices. Refer to the Honeywell Open Technology Alliance [http://www.security.honeywell.com/hota/] to learn more about our open and integrated solutions.

Accessories	
Housing and Mounts	
HD3-MK1	Wall/Pendant Mount Kit, Off White



Ordering	
HD3MWHI	Network TDN Indoor Fixed Minidome Camera, 1/3" Progressive Scan, CMOS, Wide Dynamic 720p Resolution, 3.3-12 mm VFAI Lens, 24 V AC or PoE IEEE 802.3af, H.264, NTSC
HD3MWHIX	Network TDN Indoor Fixed Minidome Camera, 1/3" Progressive Scan, CMOS, Wide Dynamic 720p Resolution, 3.3-12 mm VFAI Lens, 24 V AC or PoE IEEE 802.3af, H.264, PAL

NOTE: Honeywell reserves the right, without notification, to make changes in product design or specifications.

Automation and Control Solutions
 Honeywell Security Products Americas
 2700 Blankenbaker Pkwy, Suite 150
 Louisville, KY 40299
 1.800.323.4576
 www.honeywell.com

L/HD3MWHI/D
 January 2013
 © 2013 Honeywell International Inc.

Honeywell

www.asi.ind.in