

## HD31

[www.honeywellvideo.com](http://www.honeywellvideo.com)

### SUPER HIGH RESOLUTION VFAI LENS DAY/NIGHT IR RUGGED INDOOR/OUTDOOR BALL CAMERA

The Performance Series rounds out Honeywell's camera portfolio with a variety of indoor, outdoor, and low-light cameras that let end users choose the perfect camera for virtually any installation. Ideal for a diverse range of applications, the Performance Series includes a wide range of high performing IR bullet cameras and minidomes that are easy to install and even easier to use.

Honeywell's HD31 ball camera comes with a 2.8 – 12 mm (F1.4) varifocal auto iris lens and a 1/3" interline transfer CCD image sensor that offers 620 TV lines of resolution. The 35 IR LEDs provide up to 65 feet (20 m) of illumination, depending on scene reflectance. Digital Noise Reduction (DNR) removes noise artifacts and "ghosting," improving motion detection performance and giving users the ability to record for longer periods using their existing DVR unit.

The HD31 integrates camera and lens in a weatherproof, tamper-resistant, compact unit designed for fast and easy installation. A two-conductor pigtail is included for connecting to the barrel connector so there is no need to cut wires during installation. Just connect the cables, position the camera, adjust the zoom and focus, and you're done!

#### Market Opportunities

The HD31 is a cost-effective surveillance solution for applications that experience changing light conditions throughout the day and require additional illumination at night. The HD31 is ideal for commercial and residential sites, including daycare centers, retail stores, and hospitals.

#### Features

- 1/3" interline transfer CCD
- 2.8 – 12 mm VFAI lens, F1.4
- Super high resolution color: 620 TV lines
- 35 IR LEDs provide up to 65 ft. (20 m) of illumination, depending on scene reflectance
- Day/night function
- Digital noise reduction
- Backlight compensation
- Weatherproof, tamper-resistant housing
- Two-conductor pigtail
- 12 V DC input



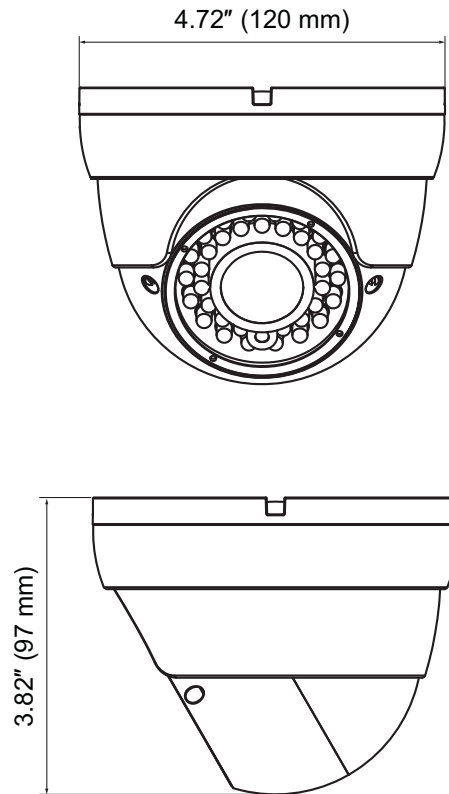
# HD31

www.honeywellvideo.com

## SPECIFICATIONS

Operational	
Video Standard	NTSC
Scanning System	2:1 interlaced
Image Sensor	1/3" Interline Transfer CCD
Number of Pixels (H × V)	768 × 494
Minimum Illumination	0 lux (IR LEDs on)
Horizontal Resolution	620 TVL
Video Output	1.0 Vp-p, composite @ 75 ohms
Sync System	Internal
S/N Ratio	50 dB or more (AGC off)
Lens Type	2.8 – 12 mm VFAI, F1.4
IR LEDs	850 nm, 35 LEDs
IR Illumination Distance	Up to 65 ft. (20 m), depending on scene reflectance
DNR	Auto
BLC	Auto
Day/Night	Auto
White Balance	Auto
Sens-Up	Auto
Gain	Auto
Electrical	
Input Voltage	12 V DC ±10%
Power Consumption	5 W (max)
Mechanical	
Dimensions	4.72" × 3.82" (120 mm × 97 mm)
Weight	1.76 lb. (0.8 kg)
Construction	Housing: Die cast aluminum Finish: Dark gray
Connectors	Main video: BNC (coax) Power input: 2.1 mm plug
Environmental	
Temperature	Operating: 14°F to 122°F (-10°C to 50°C) Storage: -4°F to 140°F (-20°C to 60°C)
Relative Humidity	0% to 95%, non-condensing
Rating	IP66
Recommended Accessories	
Power Supply	
HPT12DC500	12 V DC/500 mA Plug-in Regulated 2.1 mm Coaxial Plug UL Listed/CSA Certified
Regulatory	
Emissions	FCC: Part 15B, Class A
Immunity	EN 50130-4

### Dimensions



**NOTE:** Honeywell reserves the right, without notification, to make changes in product design or specifications.

Ordering	
HD31	Day/Night, Indoor/Outdoor IR Ball Camera, 1/3" CCD, 620 TVL, 2.8 – 12 mm VFAI Lens, 35 IR LEDs, 12 V DC, NTSC

**Automation and Control Solutions**  
Honeywell Security Products Americas  
2700 Blankenbaker Pkwy, Suite 150  
Louisville, KY 40299  
1.800.323.4576  
www.honeywell.com

L/HD31D/D  
October 2012  
© 2012 Honeywell International Inc.

**Honeywell**

www.asi.ind.in