

HB273

www.honeywellvideo.com

SUPER HIGH RESOLUTION VFAI LENS TRUE DAY/NIGHT IR INDOOR/OUTDOOR BULLET CAMERA

The Performance Series rounds out Honeywell's camera portfolio with a variety of indoor, outdoor and low-light cameras that lets end users pick the perfect camera for virtually any installation. Ideal for a diverse range of applications, the Performance Series includes a wide range of high performing IR bullet cameras and minidomes that are easy to install and even easier to use.

The Performance Series Plus line offers all of the above features plus the additional flexibility of dual voltage. Part of the Performance Series Plus line, the Honeywell HB273 True Day/Night IR bullet camera captures perfect color images by day and clear black-and-white images at night. The HB273 utilizes smart infrared technology. Auto LED brightness adjustment provides even distribution of the IR, eliminating excessive illumination and washed out video. When the ambient light drops below a defined threshold, the 42 IR LEDs activate, the mechanical IR cut filter within the camera is removed from the optical path, and the camera changes automatically from color to black-and-white mode. The IR LEDs provide up to 100 feet (30 m) of illumination, depending on scene reflectance.

The 9 – 22 mm (F1.8) DC varifocal auto iris lens offers a wide field of view range and does not shift focus when the camera switches from day to night mode. Digital Noise Reduction (DNR) removes noise artifacts and "ghosting," improving motion detection performance and giving users the ability to record for longer periods using their existing DVR unit.

The HB273 has an IP66-rated weatherproof housing and can be mounted to a wall or ceiling in minutes. Standard 1/4"-20 UNC mounting holes are located on the top and bottom of the camera. A two-conductor pigtail is included for connecting to the barrel connector so there is no need to cut wires during installation. Setup is quick and easy and can be customized with user-friendly on-screen displays and preset modes. Screw gears for adjusting the lens field of view and focus are easy to access and a local video output is provided for quick, hassle-free setup.

Market Opportunities

The HB273 is a cost-effective surveillance solution for applications that experience changing light conditions throughout the day and require extra illumination at night. The HB273 is suitable for both indoor and outdoor applications, including lobbies, atriums, foyers, gated entrances, driveways, and loading docks.

Features

- 1/3" interline transfer CCD
- Super high resolution color: 620 TV lines
- True day/night with 42 IR LEDs
- 9 – 22 mm DC VFAI lens, F1.8
- Digital noise reduction technology for noise free images
- Smart IR for even distribution of the IR to prevent excessive illumination
- Movable IR cut filter
- 42 IR LEDs provide up to 100 ft. (30 m) of illumination, depending on scene reflectance
- On-screen display and local video output for fast setup
- 8 privacy zones, 4 motion detection zones
- Adjustable sunshield
- Two-conductor pigtail for connection to barrel connector
- Dual voltage (12 V DC / 24 V AC)
- Waterproof housing with IP66 rating



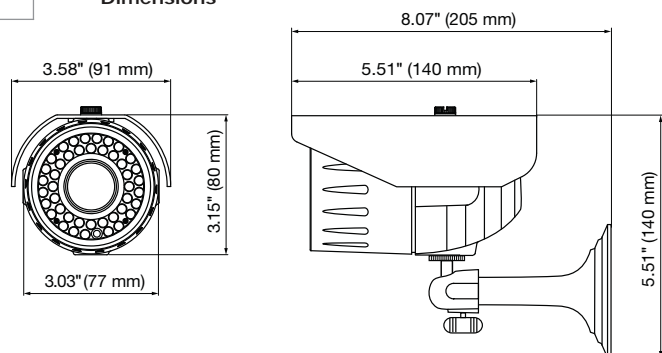
SPECIFICATIONS

Operational	
Video Standard	NTSC/PAL
Scanning System	2:1 interlaced
Image Sensor	1/3" Interline Transfer CCD
Number of Pixels (H x V)	768 x 494 (NTSC) 752 x 582 (PAL)
Minimum Illumination	0 lux (IR LEDs on)
Horizontal Resolution	620 TVL
Video Output	1.0 V _{p-p} , 75 ohms
Sync System	Internal/Line lock
S/N Ratio	50 dB or more (AGC off)
Automatic Electronic Shutter	1/60 – 1/100,000 sec (NTSC) 1/50 – 1/100,000 sec (PAL)
Lens Type	9 – 22 mm VFAI, DC drive, F1.8
Angle of View	Diagonal: 39.0° – 17.5° Horizontal: 30.6° – 14.0° Vertical: 22.6° – 10.5°
IR LEDs	850 nm, 42 LEDs
IR Illumination Distance	Up to 100 ft. (30 m), depending on scene reflectance
DNR	Auto/Off/Low/Mid/High
BLC/HSBLC	Off/On
Day/Night	Color/BW/Auto/Ext
Gain Control	Off/Low/Mid/High
White Balance	ATW/AWC/Manual
Sens-Up	Auto (x2 to x1024)
Motion Detection	Off/On (4 programmable zones)
Privacy Masking	Off/On (8 programmable zones)
D-WDR	Off/On (Level adjustable)
Sharpness	Off/On (Level adjustable)
Mirror	Horizontal
Smart IR	Off/On (Level adjustable)

Electrical	
Input Voltage	12 V DC / 24 V AC
Input Range	11–16 V DC / 17–28 V AC
Power Consumption	10 W (max)
Mechanical	
Dimensions (W x H x D)	3.58" x 3.15" x 5.51" (91 mm x 80 mm x 140 mm)
Weight	2.2 lb. (1 kg)
Construction	Housing: Die cast aluminum Finish: Dark gray
Connectors	Main Video: BNC (coax) Aux: 2-pin connector for video test cable Power Input: 2.1 mm plug
Environmental	
Temperature	Operating: 14°F to 122°F (–10°C to 50°C) Storage: –4°F to 140°F (–20°C to 60°C)
Relative Humidity	0% to 95%, non-condensing
Rating	IP66
Recommended Accessories	
Power Supplies	
HPT12DC500	12 V DC/500 mA Plug-in Regulated 2.1 mm Coaxial Plug UL Listed/CSA Certified
HPT2440	24 V AC, 40 VA Class 2 Plug-in with thermal cut-out
Regulatory	
Emissions	FCC, Part 15B, Class A
Immunity	EN50130-4

NOTE: Honeywell reserves the right, without notification, to make changes in product design or specifications.

Dimensions



Ordering	
HB273	TDN Indoor/Outdoor IR Bullet Camera, 1/3" CCD, 620 TVL, 9-22 mm DC VFAI Lens, 42 IR LEDs, 12 V DC/24 V AC, NTSC
HB273X	TDN Indoor/Outdoor IR Bullet Camera, 1/3" CCD, 620 TVL, 9-22 mm DC VFAI Lens, 42 IR LEDs, 12 V DC/24 V AC, PAL

Automation and Control Solutions
Honeywell Security Products Americas
2700 Blankenbaker Pkwy, Suite 150
Louisville, KY 40299
1.800.323.4576
www.honeywell.com

L/HB273D/D
March 2013
© 2013 Honeywell International Inc.

Honeywell

www.asi.ind.in