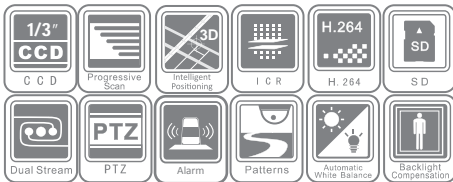


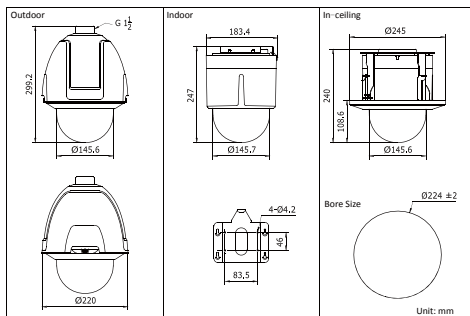
## DS-2DF1-572/5702/5732 1.3 MP Network High Speed Dome



### Key Features

- 1/3" Sony progressive scan CCD
- True day / night
- Up to 1.3 megapixel resolution
- 3D intelligent positioning function
- Powerful PTZ control
- Programmable alarm triggering
- IP66 rating
- 18x optical zoom

### Dimensions



### Accessories



DS-1614ZJ  
(Long-arm Wall Mount Bracket)

DS-2DF1-572 (outdoor) DS-2DF1-5702 (indoor) DS-2DF1-5732 (in-ceiling)	
<b>Camera</b>	
Image sensor	1/3" Sony progressive scan CCD
Effective pixel	1280 (H) × 960 (V)
Min. illumination	Color: 0.5 lux@F1.6, B/W: 0.02 lux@F1.6
White balance	Auto / manual / one touch WB / ATW
AGC	Auto / manual
S/N ratio	≥ 50dB
BLC	On / Off
Shutter time	1/25 ~ 1/100,000s
Day & night	IR cut filter
Digital zoom	12x
Privacy Mask	24 privacy masks programmable
Focus model	Auto / semi-automatic / manual
<b>Lens</b>	
Focal length	4.7 ~ 84.6mm, 18x
Zoom speed	Approx.2s (optical Wide-Tele)
Angle of view	55.2 ~ 3.2° (Wide-Tele)
Min. working distance	10 ~ 1,500mm (Wide-Tele)
Aperture range	F1.6 ~ F2.8
<b>Pan and tilt</b>	
Pan range	360° endless
Pan speed	Pan manual speed: 0.1° ~ 300°/s, pan preset speed: 540°/s
Tilt range	-5° ~ 90° (auto flip)
Tilt speed	Tilt manual speed: 0.1° ~ 240°/s, tilt preset speed: 400°/s
Proportional zoom	Rotation speed can be adjusted automatically according to zoom multiples
Number of preset	256
Patrol	8 patrols, up to 32 presets per patrol
Pattern	4 patterns, with the recording time not less than 10 min per pattern
Power-off memory	Support
Park action	Preset / patrol / pattern / pan scan / tilt scan / random scan / frame scan / panorama scan
PTZ position display	On / off
Freeze frame	Support
<b>Alarm</b>	
Alarm input	2 (7 alarm input optional)
Alarm output	2 relay outputs, alarm response actions configurable
Alarm actions	Preset, patrol, pattern, SD/SDHC card recording, relay output, notification on client
<b>Input / output</b>	
Monitor output	1.0V[p-p] / 75Ω, NTSC (or PAL) composite, BNC
Audio input	Audio input (LINE input), 2-2.4V[p-p]; output impedance: 1KΩ, ±10%
Audio output	Line level, impedance: 600Ω
<b>Network</b>	
Ethernet	10 base-T / 100 base-TX, RJ45 connector
Max. image resolution	1280 × 720
Frame rate	50Hz: 25 fps (1280 × 720)
Image compression	H.264 / MJPEG
Audio compression	G.711 / 16kbps
Audio mode	Off / audio input / audio output
Protocols	TCP/IP, HTTP, DHCP, DNS, RTP/RTCP, PPPoE (FTP, SMTP, NTP, SNMP optional)
No. of simultaneous users	Up to 6 users
Dual streams	Support
Mini SD memory card	Manual REC / alarm REC. Built-in SD/SDHC slot, up to 32GB
User / host level	3 levels: administrator, camera control, live view only
Security measures	User authentication (ID and PW), host authentication (MAC address)
<b>Client GUI</b>	
Camera control	Pan / tilt, zoom, focus, click centering, drag zoom, iris, preset position call and program, auto mode.
Camera name	Up to 18 characters
Date & time display	Time: week: date, 6 formats on the client
Reading patrol message	Display and reading of preset message contained in each patrol via client software
<b>Fiber interface (available for fiber dome only)</b>	
Data mode	10 base-T / 100 base-TX
Physical interface	FC / SC optional
Fiber wavelength	TX1310 / RX1550nm
Fiber type	Single fiber / single mode
Transmission distance	20km, 40km / 60km / 80km optional
<b>General</b>	
Menu language	English
RS-485 protocols	HIKVISION, Pelco-P, Pelco-D, self-adaptive
Power supply	24 VAC (12 VDC optional)
Power consumption	15W max. (30W max. with heater, outdoor dome)
Working temperature / humidity	-30 °C ~ 65 °C (-22 °F ~ 149 °F) (outdoor) / -10 °C ~ 50 °C (14 °F ~ 122 °F) (indoor), 90% or less
Protection level	IP66 standard (outdoor), TVS 3,000V lightning protection, surge protection and voltage transient protection
Mounting	Various mounting modes optional
Dimensions	Φ 220 × 299.2mm (Φ 8.66"×11.78")(outdoor), Φ 183.4 × 247mm (Φ 7.22"×9.72") (indoor), Φ 245 × 240mm (Φ 9.65"×9.45") (in-ceiling)
Weight (approx.)	5kg (11.02lbs)